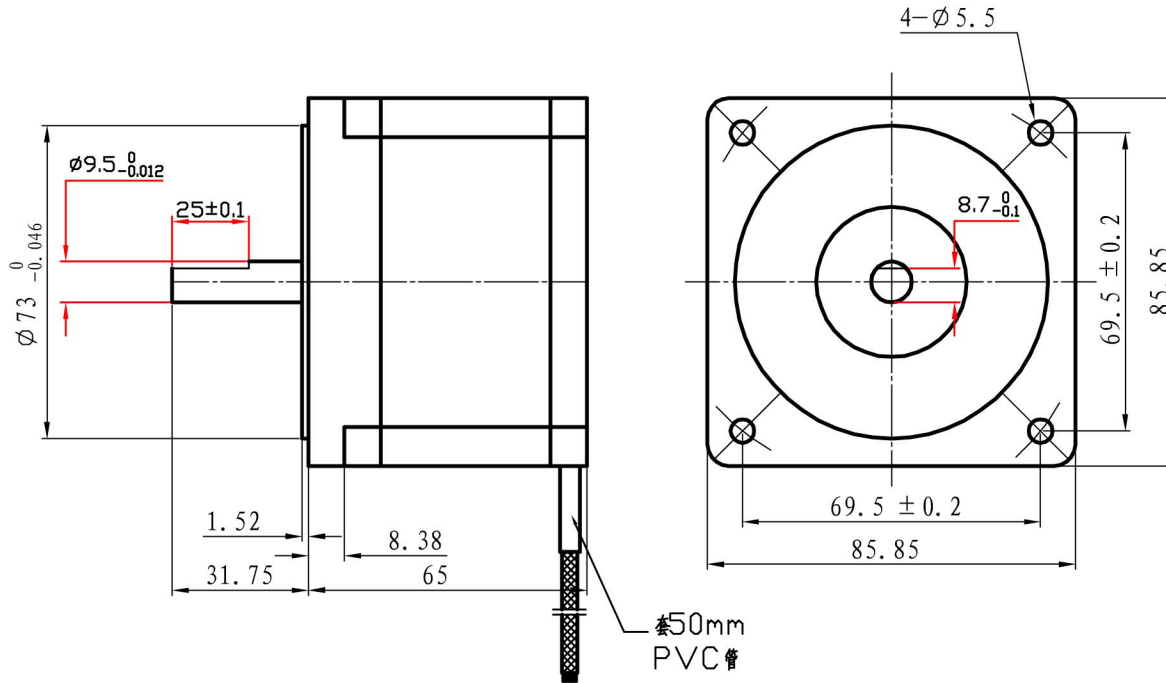
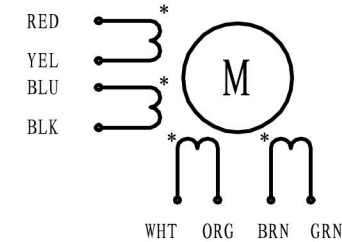


Dimension:



Wiring Diagram:



引出线从电机引出时套50mmPVC 管
 红黄蓝黑白橙棕绿
 1007-AWG20#长500mm

Specifications:

PHASE	STEP ANGLE	CONNECTION STYLE	CURRENT	RESISTANCE	INDUCTANCE	HOLDING TORQUE	ROTOR INERTIA	WEIGHT
	DEG/STEP		A	ohms	mH	N.m	gcm ²	Kg
4	1.8	parallel	4	0.7	3.9	3.5	1000	1.7
		series	2	2.8	15.6			
		unipolar	2.8	1.4	3.9	2.2		

REV	ECN	NO	DESCRIPTION	DRN	APP'D	DATE	DESIGN	DATE	P/N.	
UNLESS OTHERWISE SPECIFIED TOLERANCES:							CHECK		TITLE SPECIFICATIONS	
DECIMALS: .x ±0.5							APPD		USED ON 86HS35	
ANGULAR: .xx ±0.25									DWG NO.	REV
.xxx ±0.1							THIRD ANGLE PROJECTION	SCALE	深圳市雷赛智能控制股份有限公司	
UNIT: mm								SHEET	OF	
DO NOT SCALE DRAWING										