

# China Leadshine Technology Co.,Ltd

Rev:01

Date:20041015

## 57HS22-C

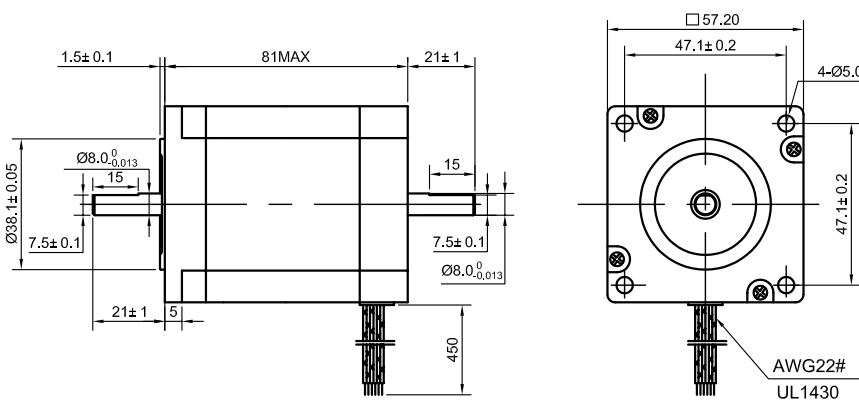
### COMMON RATINGS

Step angle: 1.8°	Dielectric strength: 500VDC
Positional accuracy: +/-5%	Insulation resistance: 100M0hm(500VDC)
Number of Phase: 4	Radial play: 0.025mm max.(load 450g)
Temperature rise: 80°C Max	Insulating class: B
Inertia: 480 g.cm <sup>2</sup>	Weight: 1.15 kg

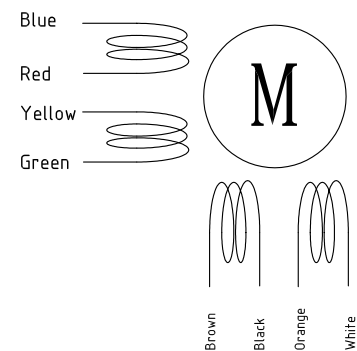
### SPECIFICATIONS

	Holding Torque (2 phases on) N.m ±10%	Rated Current/Phase (Amps DC)	Phase Reslstance (ohms) ±10%	Phase Inductance (mH) ±20% Typical
Bipolar(Parallel)	2.0	5.0	0.4	1.8
Bipolar(Series)	2.0	2.5	1.6	7.2
Unipoar	1.4	3.5	0.8	1.8

### DIMENSIONS unit=mm



### CONNECTIONS



### Wirings Connection Diagram

Bipolar (Parallel) Connection	Bipolar (Series) Connection	Unipolar Connection