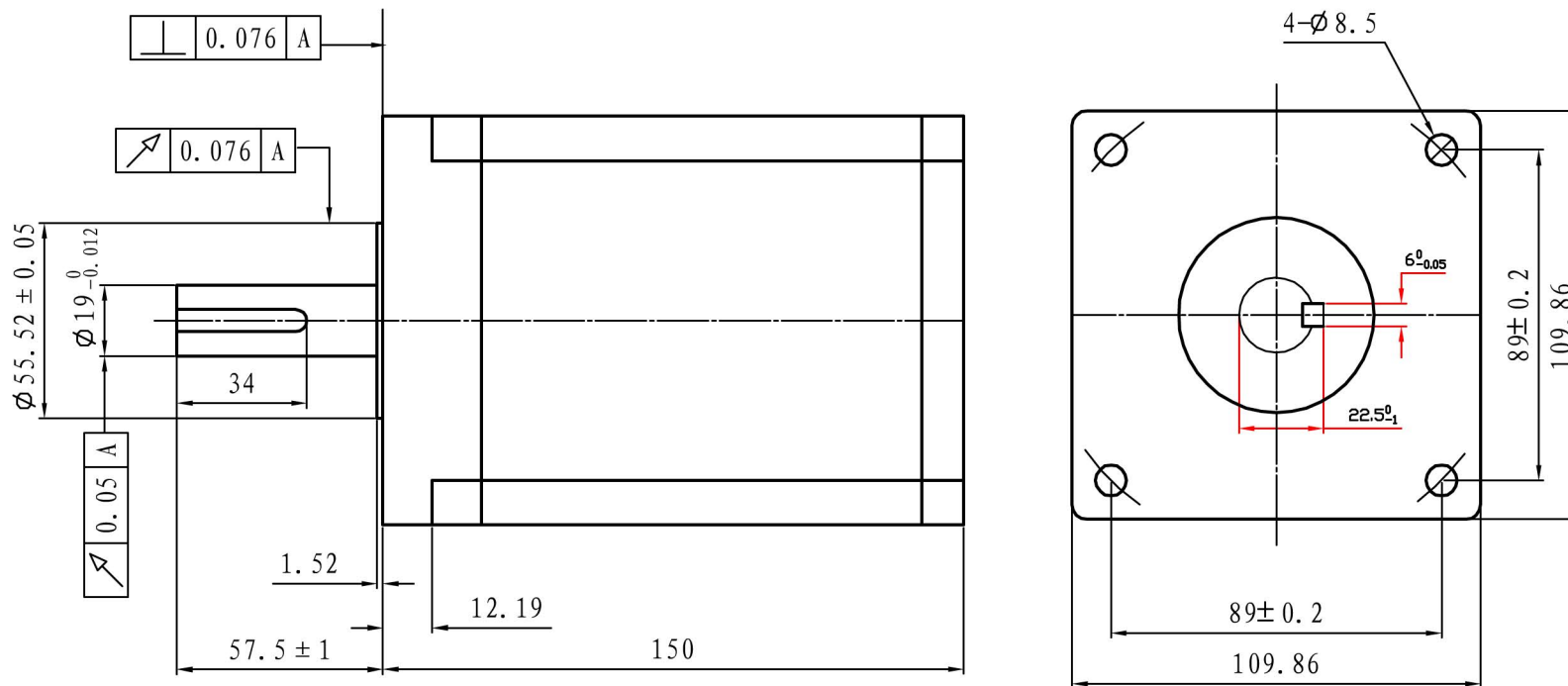
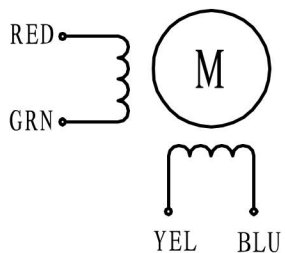


Dimension:



Wiring Diagram:



红绿黄蓝
UL1332 18# 长310mm

Specifications:

Phase	Step Angle	Current	Resistance	Inductance	Holding Torque	Rotor Inertia	Weight
	Deg/Step	A	ohms	mH	N.m	gcm ²	Kg
2	1.8	6.5	0.8	15	20	10900	8.4

A	键槽的深度由23改为22.5			DESIGN	DATE	P/N.	
REV	ECN NO	DESCRIPTION	DRN	APP'D	DATE	TITLE	
UNLESS OTHERWISE SPECIFIED TOLERANCES:				CHECK		SPECIFICATIONS	
DECIMALS: .x ±0.5				APPD		USED ON 110HS20	
ANGULAR: ±0°30'				SCALE		DWG NO.	
.xx ±0.25				SHEET		REV A	
.xxx ±0.1				THIRD ANGLE PROJECTION		深圳市雷赛智能控制股份有限公司	
UNIT: mm				OF		www.leadtronker.com	
DO NOT SCALE DRAWING							