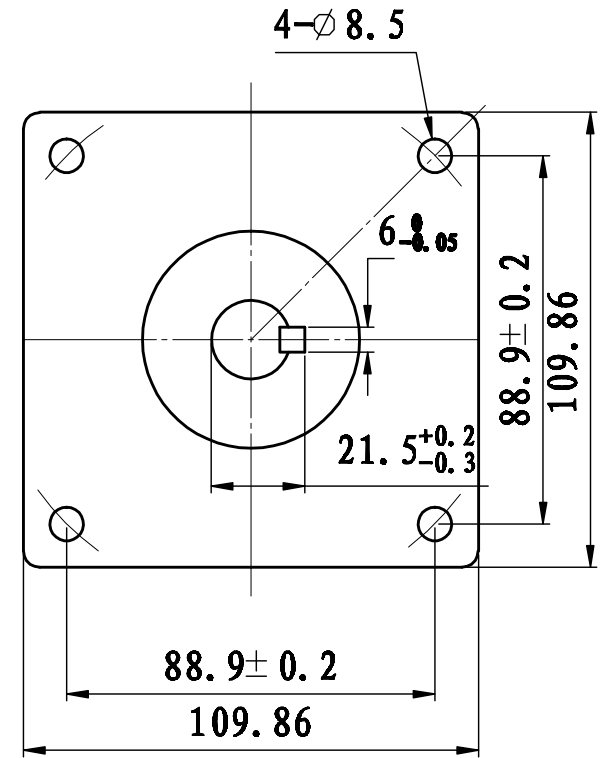
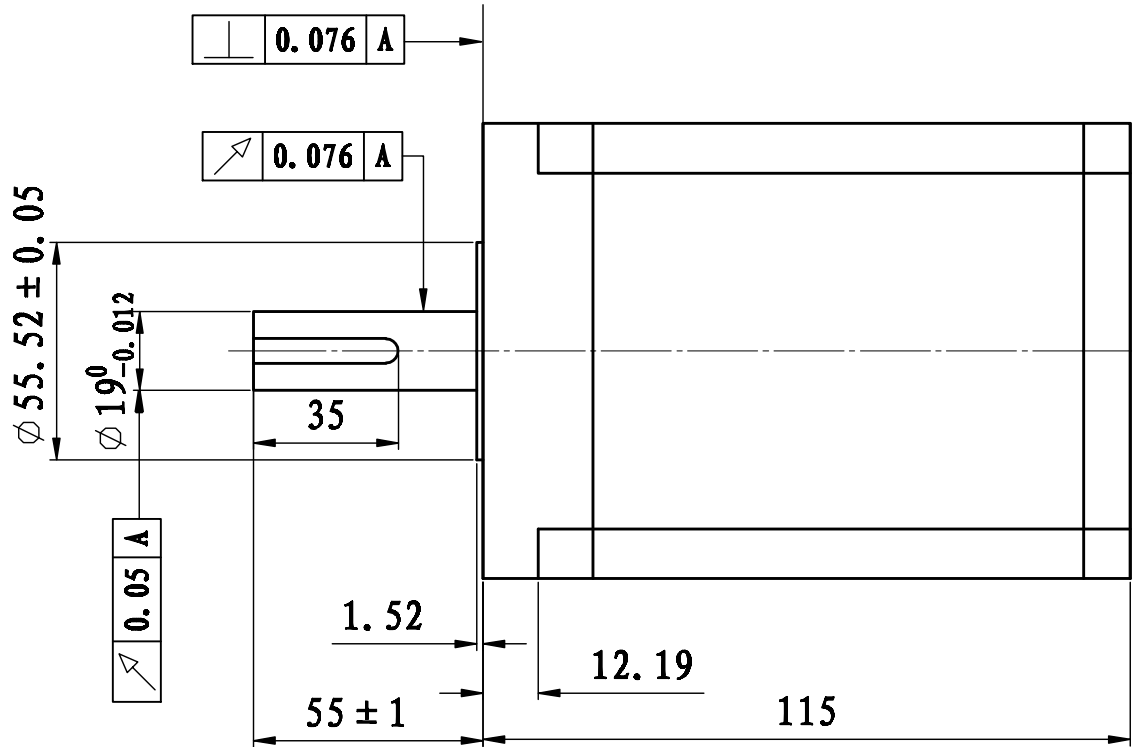
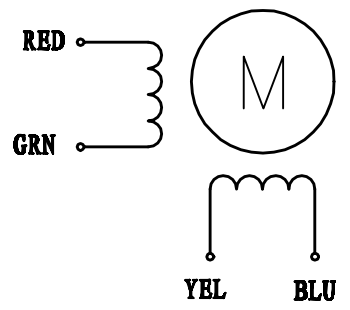


Dimension:



Wiring Diagram:



UL1332 AWG18# LENGTH300mm

Specifications:

Phase	Step Angle	Current	Resistance	Inductance	Holding Torque	Rotor Inertia	Weight
	Deg/Step	A	ohms	mH	N.m	gcm <sup>2</sup>	Kg
2	1.8	6	0.53	6.5	12	7200	6

X. ± 0.1	X' ± 1'	UNITS	NAME (INTENDED USE)
.X ± 0.05	.X' ± 0.5'	MAT'L	PART NO. (INTENDED USE)
.XX ± 0.02	.XX' ± 0.2'	FINISH	
.XXX ± 0.005	.XXX' ± 0.05'		Q'TY
THESE DRAWINGS AND SPECIFICATIONS ARE THE PROPERTY OF CHINA LEADSHINE TECHNOLOGY CO., LTD. AND SHALL NOT BE REPRODUCED, COPIED OR USED IN ANY MANNER WITHOUT THE PRIOR WRITTEN CONSENT OF CHINA LEADSHINE TECHNOLOGY CO., LTD.			CHKD:
			DR:



110HS12-Z

SCALE	SHEET	REV.
1/1	2/2	